

DIN CONNECTOR



Module Power Connector

Version: 0.1

FEATURES

- **Pin and hole type design contact system**
Minimal contact resistance at high current, wiping action leans contact surface during connection/disconnection
- **Modular housings**
Recommended application voltage per industry standards.
- **Touch safe interface**
Minimizes potential contact with live circuits per EN 1175-1, DIN 43589.



特征

- **针孔接触技术**
强电流下接触电阻小，断开过程中产生的擦拭动作可清洁接触件表面
- **模块化外壳**
根据行业标准推荐的使用电压.避免两个带有不同电压编码的胶壳配插(消除电源与插座误插的可能)
- **防金手指设计**
大大降低了生活中电路的潜在风险,依照 EN 1175-1, DIN 43589.

PRODUCT FEATURES/产品特性

Current Rating (Amperes) 额定电流 (安培)	Din80A	150A MAX
	Din160A	250A MAX
	Din320A	400A MAX
Voltage Ratings (Volts) 额定电压 (伏特)	150V	
Adaptation wire diameter 适配线径 (mm ²)	Din80A	10mm ² , 16mm ² , 25mm ² , 35mm ²
	Din160A	25mm ² , 35mm ² , 50mm ²
	Din320A	50mm ² , 70mm ² , 95mm ²
Service voltages (able to be coded) (Volts) 辅助电压 (伏特)	24, 36, 48, 72, 80, 96V	
Operating Temperature Range °C perating Temperature Range °C/工作温度	Nylon:-40°C-180°C PBT:-40°C-125°C	
Mating Cycle(No Load)插拔寿命 (无负载)	> 5000	
Acid Resistance (1.40g/cm ³ at 20°C) /耐酸性	16 hours	
Degree of Protection/防护等级	IP20	
Flammability Rating of Housing Material 材料防火等级	UL94V0	
Plastic(塑胶壳)	Nylon, PBT	
Contact(端子)	Copper Alloy Silver plating	

HOW TO DEFINE/如何定义

DIN	XX	X	XX	XX	H	XS	kit	Package/包装
								Non or with signal contacts "1.2.3.4"/不显示或配信号针数量1.2.3.4S
								Non or with "Handle"/不带或带手柄
								BK(Nylon) or GR(PBT)“BK” or “GR” 代表胶壳颜色“黑色”或“灰色”
								Wire Size(mm ²)/ 电缆规格 (10-95mm ²)
								M or F/ 公端或母端
								Product Series 80, 160, 320/产品系列 80, 160, 320

Your Best High Power Connectio



Shenzhen Grid Power Connectors Co., Ltd

Tel: +86 0755-23208099 23205933

Address: The 2nd Floor, Building B&C, Plant 1, Senyang, Technology Park, Guangming District, Shenzhen City, PRC
www.grd-power.com

DIN CONNECTOR

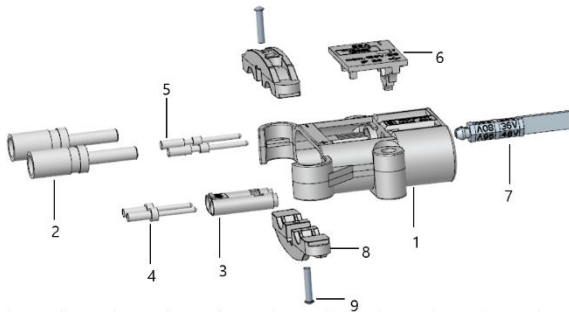


Module Power Connector

Version: 0.1

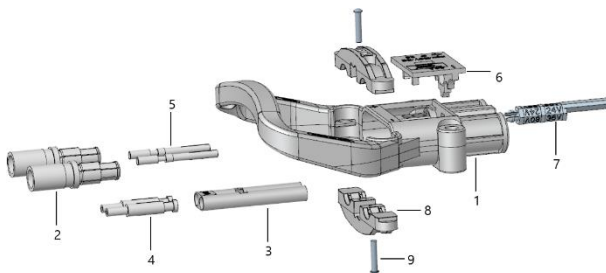
DIN80 SERIES/DIN80 系列

公端/MALE

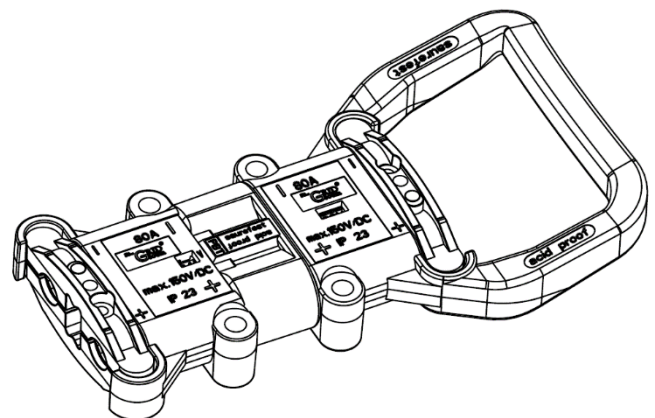
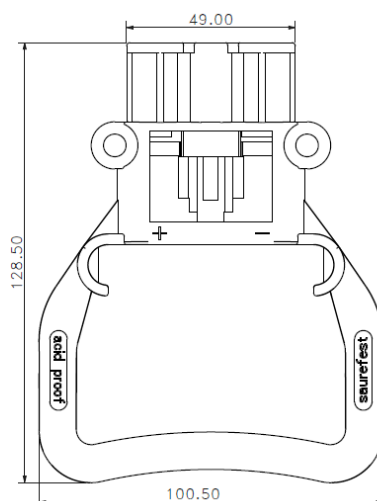
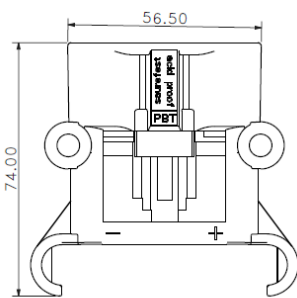


ITEM	DESCRIPTION	CUSTOMER PN (PART NO.) BK	CUSTOMER PN (PART NO.) GR	QTY
1	Socket Housing / 公胶壳	DIN80-M-BK(102-000340)	DIN80P-M-GR(102-000526)	1
2	PIN Contact / 电源公端子	G80-10XX		2
3	Bracket/信号端子支架	80M-3(102-000416)	80PM-3(102-000528)	1
4	Signal terminal/信号端子1	G80M-4(206-000024)		2
5	Signal terminal/信号端子2	G160/80M-6(206-000032)		2
6	Cover/盖板	80M-5(102-000341)	80PM-5(102-000529)	1
7	Voltage Key/电压件	80P-6(102-000558)		1
8	Cable Clamp /线材固定夹	80-7(102-000343)	80P-7(102-000530)	2
9	Screw /线夹螺丝	M3.5*18(213-000003)		2

母端/FEMALE



ITEM	DESCRIPTION	CUSTOMER PN (PART NO.) BK	CUSTOMER PN (PART NO.) GR	QTY
1	Plug Housing / 母胶壳	DIN80-F-BK(102-000356)	DIN80P-F-GR(102-000543)	1
2	Socket Contact / 电源母端子	G80-11XX		2
3	Bracket/信号端子支架	80F-3(102-000415)	80PF-3(102-000527)	1
4	Signal terminal/信号端子1	G80F-4(206-000023)		2
5	Signal terminal/信号端子2	G80F-5(206-000027)		2
6	Cover/盖板	80F-5(102-000357)	80PF-5(102-000544)	1
7	Voltage Key/电压件	80P-6(102-000558)		1
8	Cable Clamp /线材固定夹	80-7(102-000343)	80P-7(102-000530)	2
9	Screw /线夹螺丝	M3.5*18(213-000003)		2



Your Best High Power Connectio



Shenzhen Grid Power Connectors Co., Ltd

Tel: +86 0755-23208099 23205933

Address: The 2nd Floor, Building B&C, Plant 1, Senyang, Technology Park, Guangming District, Shenzhen City, PRC
www.grd-power.com

DIN CONNECTOR

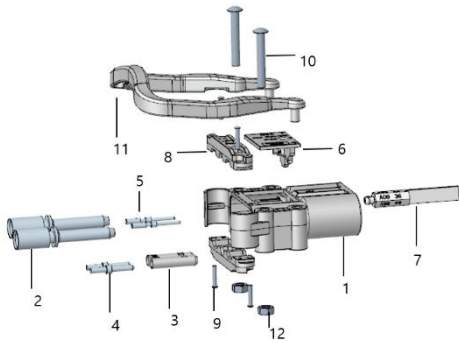


Module Power Connector

Version: 0.1

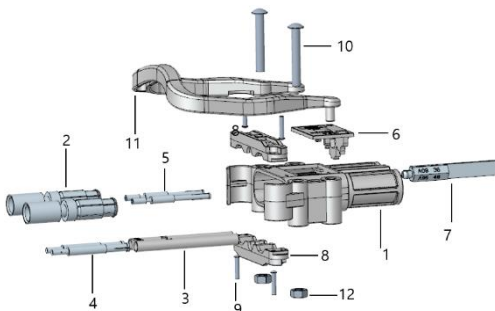
DIN160 SERIES/DIN160 系列

公端/MALE

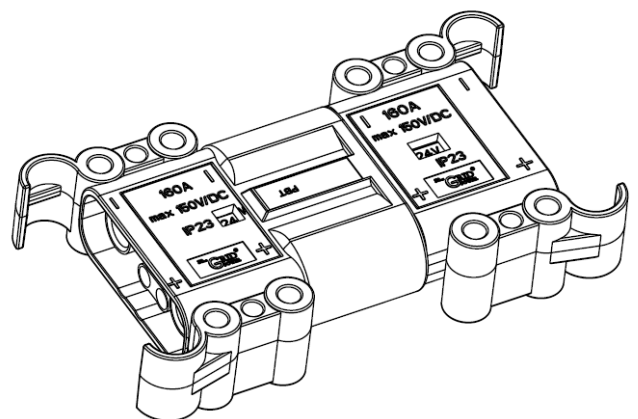
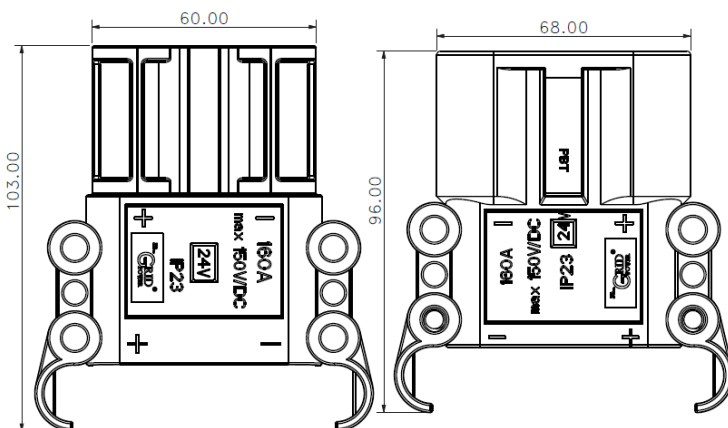


ITEM	DESCRIPTION	CUSTOMER PN (PART NO.) BK	CUSTOMER PN (PART NO.) GR	QTY
1	Socket Housing / 公胶壳	DIN160-M-BK(102-000344)	DIN160P-M-GR (102-000531)	1
2	PIN Contact / 电源公端子	G160-10XX		2
3	Bracket / 信号端子支架	160M-3 (102-000346)	160PM-3 (102-000533)	1
4	Signal terminal / 信号端子1	G160M-4 (206-000026)		2
5	Signal terminal / 信号端子2	G160/80M-6 (206-000032)		2
6	Cover / 盖板	160M-5 (102-000347)	160PM-5 (102-000534)	1
7	Voltage Key / 电压件	160P-6(102-000560)		1
8	Cable Clamp / 线材固定夹	160-7(102-000350)	160P-7(102-000536)	2
9	Screw / 线夹螺丝	M3.5*18(213-000003)		4
10	Handle Screw (Optional) / 拉手螺丝(选配)	1/4-20*40TM(213-000006)		2
11	Handle(Optional) / 拉手(选配)	160-9 (102-000348)	160P-9 (102-000535)	1
12	Screw nut(Optional)/拉手螺母 (选配)	214-000015		2

母端/FEMALE



ITEM	DESCRIPTION	CUSTOMER PN (PART NO.) BK	CUSTOMER PN (PART NO.) GR	QTY
1	Socket Housing / 母胶壳	DIN160-F-BK(102-000358)	DIN160P-F-GR(102-000545)	1
2	Socket Contact / 电源母端子	G160-11XX		2
3	Bracket / 信号端子支架	160F-3(102-000345)	160PF-3(102-000532)	1
4	Signal terminal / 信号端子1	G160F-4 (206-000025)		2
5	Signal terminal / 信号端子2	G160F-6(206-000031)		2
6	Cover / 盖板	160F-5(102-000359)	160PF-5(102-000546)	1
7	Voltage Key / 电压件	160P-6(102-000560)		1
8	Cable Clamp / 线材固定夹	160-7(102-000350)	160P-7(102-000536)	2
9	Screw / 线夹螺丝	M3.5*18(213-000003)		4
10	Handle Screw (Optional) / 拉手螺丝(选配)	1/4-20*40TM(213-000006)		2
11	Handle(Optional) / 拉手(选配)	160-9 (102-000348)	160P-9 (102-000535)	1
12	Screw nut(Optional)/拉手螺母 (选配)	214-000015		2



Your Best High Power Connectio



Shenzhen Grid Power Connectors Co., Ltd

Tel: +86 0755-23208099 23205933

Address: The 2nd Floor, Building B&C, Plant 1, Senyang, Technology Park, Guangming District, Shenzhen City, PRC
www.grd-power.com

DIN CONNECTOR

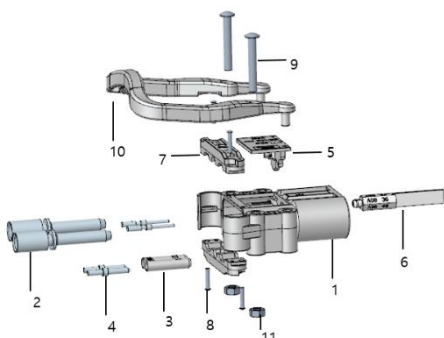


Module Power Connector

Version: 0.1

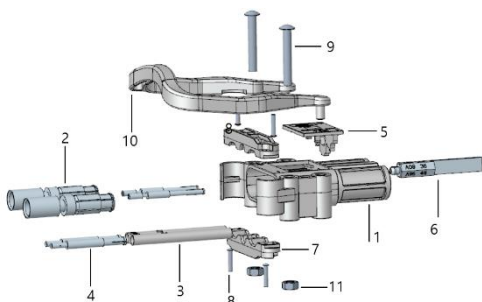
DIN320 SERIES/DIN320 系列

公端/MALE

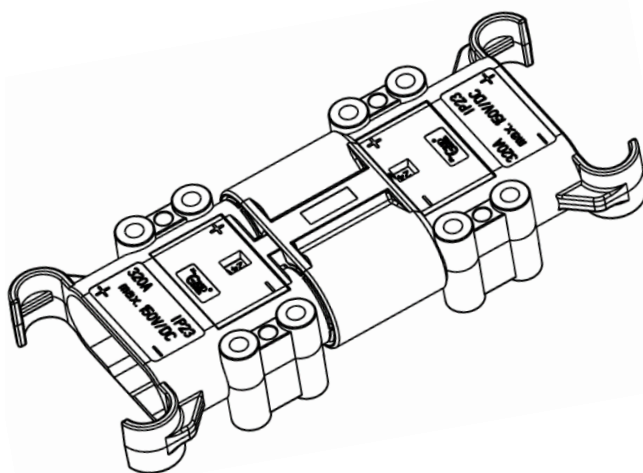
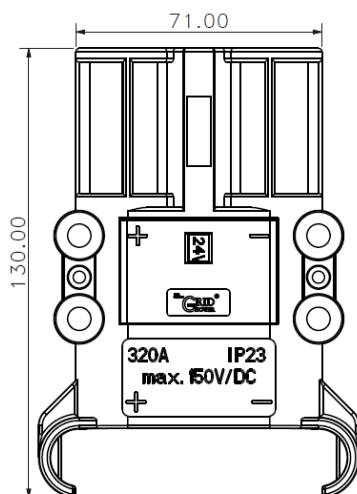
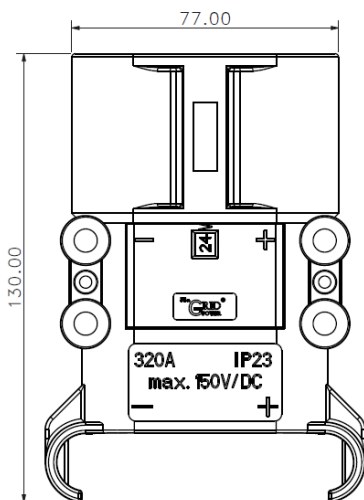


ITEM	DESCRIPTION	CUSTOMER PN (PART NO.) BK	CUSTOMER PN (PART NO.) GR	QTY
1	Socket Housing / 公胶壳	DIN320-M-BK(102-000351)	DIN320P-M-GR(102-000537)	1
2	PIN Contact / 电源公端子	G320-10XX		2
3	Bracket / 信号端子支架	320M-3(102-000353)	320PM-3(102-000539)	1
4	Signal terminal / 信号端子	G320M-5(206-000034)		4
5	Cover / 盖板	320M-5(102-000354)	320PM-5(102-000541)	1
6	Voltage Key / 电压件	160P-6(102-000560)		1
7	Cable Clamp / 线材固定夹	320-7(102-000355)	320P-7(102-000542)	2
8	Screw / 线夹螺丝	M3.5*18(213-000003)		4
9	Handle Screw (Optional) / 拉手螺丝(选配)	1/4-20*45TM(213-000005)		2
10	Handle(Optional) / 拉手(选配)	160-9 (102-000348)	160P-9 (102-000535)	1
11	Screw nut(Optional) / 拉手螺母 (选配)	214-000015		2

母端/FEMALE



ITEM	DESCRIPTION	CUSTOMER PN (PART NO.) BK	CUSTOMER PN (PART NO.) GR	QTY
1	Socket Housing / 母胶壳	DIN320-F-BK(102-000360)	DIN320P-F-GR(102-000547)	1
2	Socket Contact / 电源母端子	G320-11XX		2
3	Bracket / 信号端子支架	320F-3(102-000352)	320PF-3(102-000538)	1
4	Signal terminal / 信号端子	G320F-5(206-000033)		4
5	Cover / 盖板	320F-5(102-000361)	320PF-5(102-000548)	1
6	Voltage Key / 电压件	160P-6(102-000560)		1
7	Cable Clamp / 线材固定夹	320-7(102-000354)	320P-7(102-000542)	2
8	Screw / 线夹螺丝	M3.5*18(213-000003)		4
9	Handle Screw (Optional) / 拉手螺丝(选配)	1/4-20*45TM(213-000005)		2
10	Handle(Optional) / 拉手(选配)	160-9 (102-000348)	160P-9 (102-000535)	1
11	Screw nut(Optional) / 拉手螺母 (选配)	214-000015		2



Your Best High Power Connectio



Shenzhen Grid Power Connectors Co., Ltd

Tel: +86 0755-23208099 23205933

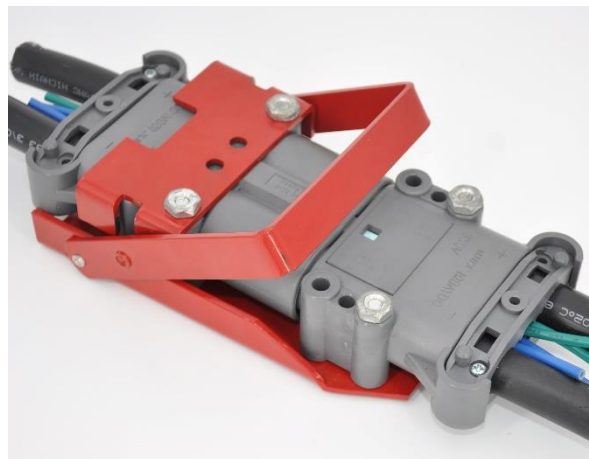
Address: The 2nd Floor, Building B&C, Plant 1, Senyang, Technology Park, Guangming District, Shenzhen City, PRC
www.grd-power.com

选配: Air tube



产品系列 Product Series	公端Male	母端Female
Din320系列	A320M-10 (102-000633)	A320F-11 (102-000636)
Din160系列	A160M-10 (102-000634)	A160F-11 (102-000637)
Din80系列	A80M-10 (102-000635)	A80F-11 (102-000638)

选配: Sliding Tools



Description	Part Numbers
Manual Release Battery side	G993G1-2
Manual Release Charger /truck side	G994G1-2

备注: G993G1-2 与 G994G1-2 需要配套使用

DIN CONNECTOR



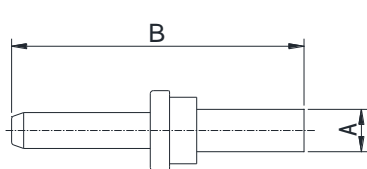
Module Power Connector

Version: 0.1

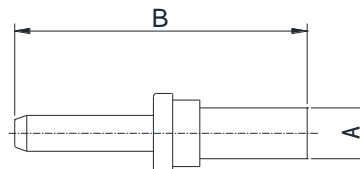
DIN80 CONTACT/接触件



G80-1010

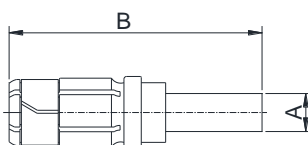


G80-1016/1025/1035

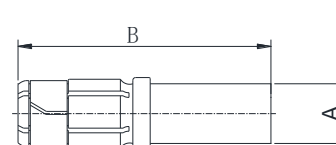


CUSTOMER PN	PART NO.	DESCRIPTION	Wire Size/线径	A		B	
			sq. mm	mm	In	mm	In
G80-1010	205-000209	端子/terminal	10	7	0.28	48.25	1.9
G80-1016	205-000011	端子/terminal	16	11	0.43	48.5	1.91
G80-1025	205-000013	端子/terminal	25	11	0.43	48.5	1.91
G80-1035	205-000015	端子/terminal	35	12.5	0.49	48.5	1.91

G80-1110



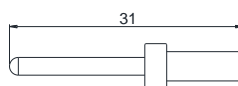
G80-1116/1125/1135



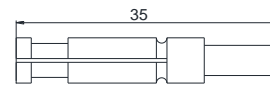
CUSTOMER PN	PART NO.	DESCRIPTION	Wire Size/线径	A		B	
			sq. mm	mm	In	mm	In
G80-1110	205-000210	端子/terminal	10	7	0.28	46.7	1.84
G80-1116	205-000012	端子/terminal	16	11	0.43	46.7	1.84
G80-1125	205-000014	端子/terminal	25	11	0.43	46.7	1.84
G80-1135	205-000016	端子/terminal	35	12.5	0.49	46.7	1.84



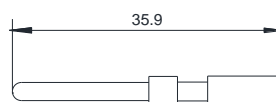
G80M-4



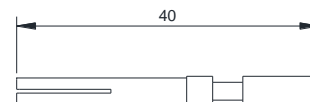
G80F-4



G160/80M-6



G80F-5



Your Best High Power Connectio



Shenzhen Grid Power Connectors Co., Ltd

Tel: +86 0755-23208099 23205933

Address: The 2nd Floor, Building B&C, Plant 1, Senyang, Technology Park, Guangming District, Shenzhen City, PRC
www.grd-power.com

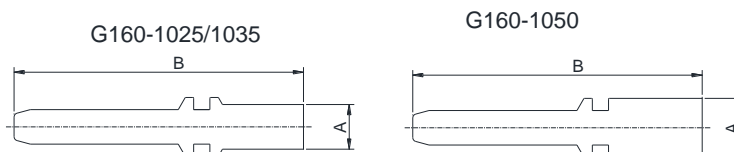
DIN CONNECTOR



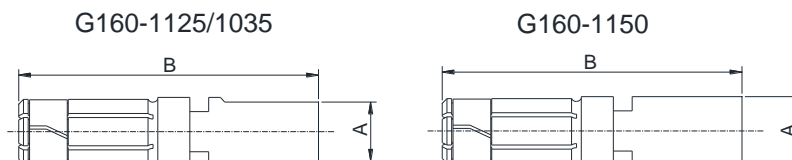
Module Power Connector

Version: 0.1

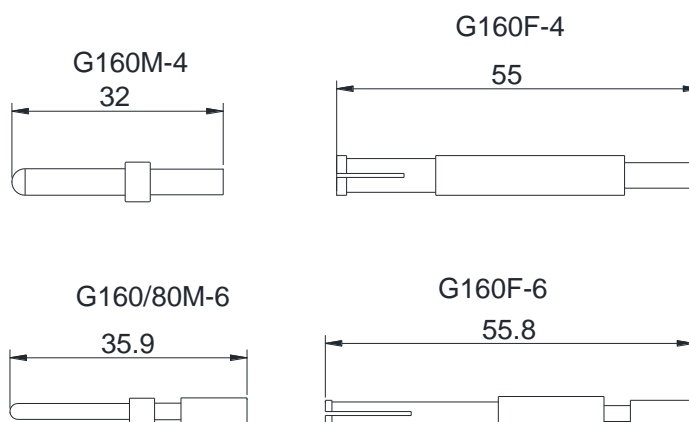
DIN160 CONTACT/接触件



CUSTOMER PN	PART NO.	DESCRIPTION	Wire Size/线径	A		B	
			sq. mm	mm	In	mm	In
G160-1025	205-000005	端子/terminal	25	11	0.43	71.4	2.81
G160-1035	205-000007	端子/terminal	35	12.5	0.49	71.4	2.81
G160-1050	205-000009	端子/terminal	50	14.5	0.57	71.4	2.81



CUSTOMER PN	PART NO.	DESCRIPTION	Wire Size/线径	A		B	
			sq. mm	mm	In	mm	In
G160-1125	205-000006	端子/terminal	25	11	0.43	63.6	2.5
G160-1135	205-000008	端子/terminal	35	12.5	0.49	63.6	2.5
G160-1150	205-000010	端子/terminal	50	14.5	0.57	63.6	2.5



Your Best High Power Connectio



Shenzhen Grid Power Connectors Co., Ltd

Tel: +86 0755-23208099 23205933

Address: The 2nd Floor, Building B&C, Plant 1, Senyang, Technology Park, Guangming District, Shenzhen City, PRC
www.grd-power.com

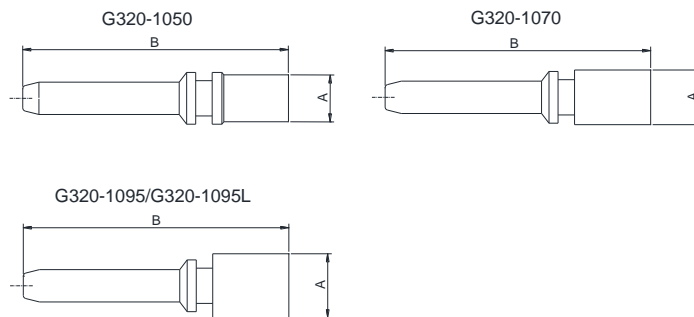
DIN CONNECTOR



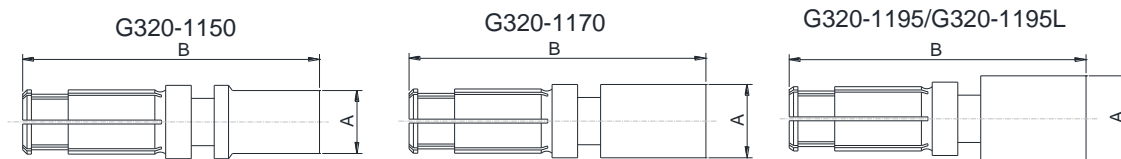
Module Power Connector

Version: 0.1

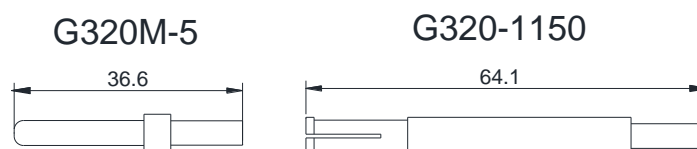
DIN320 CONTACT/接触件



CUSTOMER PN	PART NO.	DESCRIPTION	Wire Size/线径	A		B	
			sq. mm	mm	In	mm	In
G320-1050	205-000001	端子/terminal	50	14.5	0.57	82.1	3.23
G320-1070	205-000003	端子/terminal	70	16.9	0.67	82.1	3.23
G320-1095	205-000200	端子/terminal	95	19.8	0.78	82.1	3.23
G320-1095L	205-000244	端子/terminal	95	19.8	0.78	103	4.06



CUSTOMER PN	PART NO.	DESCRIPTION	Wire Size/线径	A		B	
			sq. mm	mm	In	mm	In
G320-1150	205-000002	端子/terminal	50	14.5	0.57	68.5	2.7
G320-1170	205-000004	端子/terminal	70	16.9	0.67	68.5	2.7
G320-1195	205-000201	端子/terminal	95	19.8	0.78	68.5	2.7
G320-1195L	205-000245	端子/terminal	95	19.8	0.78	88.9	3.5



Your Best High Power Connectio



Shenzhen Grid Power Connectors Co., Ltd

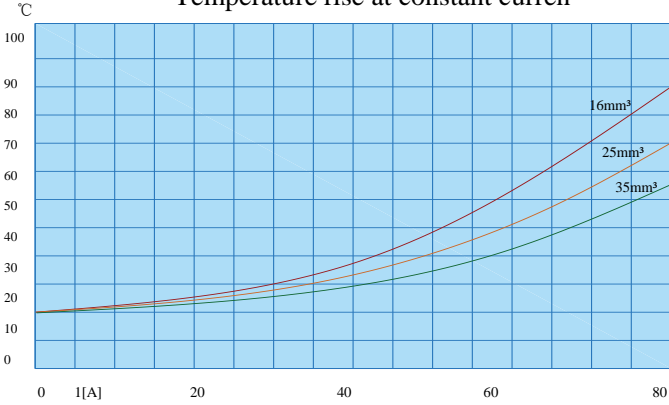
Tel: +86 0755-23208099 23205933

Address: The 2nd Floor, Building B&C, Plant 1, Senyang, Technology Park, Guangming District, Shenzhen City, PRC

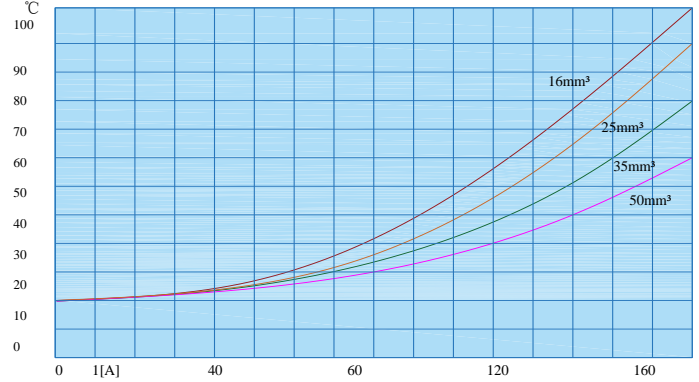
www.grd-power.com

TEMPERATURE RISE CHARTS/温升测试

DIN 43589-1 80A
Temperature rise at constant current



DIN 43589-1 160A
Temperature rise at constant current



DIN 43589-1 320A
Temperature rise at constant current

